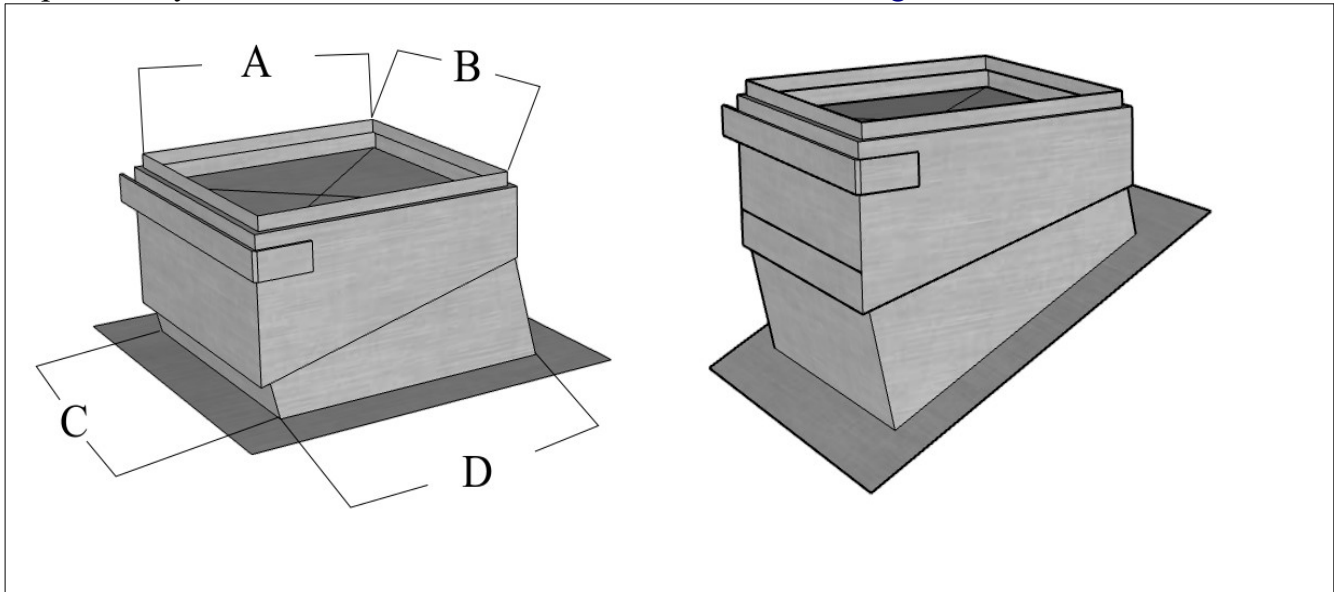




A product by Gorman Industries Inc. PH: 505-247-1596 www.gormanindustries.com



Universal Adjustable Roof Jack

Part number	A	B	C	D	PITCH
ECRJADJ20	19.5"	19.5"	20.25"	20.25"	Flat to 6/12
ECRJADJ18	17.5"	17.5"	18.25"	18.25"	Flat to 6/12
ECRJADJ16	15.5"	15.5"	16.25"	16.25"	Flat to 6/12

\$110 ea contact us for whole sale prices.

Universal Adjustable Roof Jack with damper

Sized to slip into most soft media and rigid media down flow swamp coolers.

Bottom opening (C and D) sized to slip over, 16"x16", 18"x18", and 20"x20" roof penetrations.

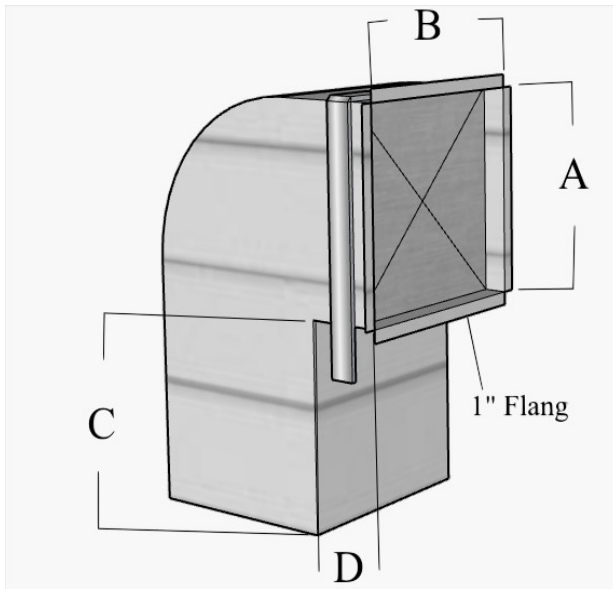
Construction: 26ga G90 spot welded seams

NOTE

Roof Jack must be adjusted to pitch and sealed by installer.

Email orders to borussom@gormanindustries.com

G-LOC



ECEL F	SIZE				
PART #	A	B	C	D	COST
ECEL 16.5F	16.5"	16.5"	16"	6"	\$140.00
ECEL 18.5F	18.5"	18.5"	16"	6"	\$140.00
ECEL 20.5F	20.5"	20.5"	16"	6"	\$140.00
ECEL CUSTOM					Contact for price

Description: AC elbow at 90 degrees with damper

Construction: 26ga G90 galvanized, pittsburgh seams

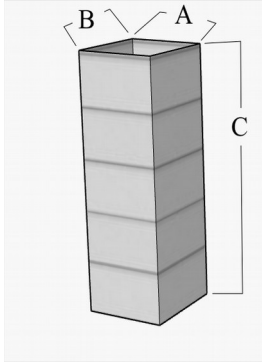
ECEL F will fit most side draft swamp coolers

ECEL F will slip over ECRJSDP, and ECRJSDF of corresponding size.

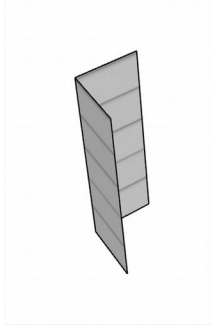
Custom sizes can be provided within 24 hours of ordering.

Note

ECEL F shipped assemble to be sealed at time of install



Sold as 2 "L" sections



ECDUCT	SIZE				
PART #	A	B	C	CONNECTION	COST
ECDUCT 161648S	16"	16"	48"	RAW	\$65.00
ECDUCT 181848S	18"	18"	48"	RAW	\$65.00
ECDUCT 202048S	20"	20"	48"	RAW	\$65.00
ECDUCT CUSTOM					Contact for price

Description: Straight rectangular duct, with out liner. For use with G-LOC AC flashing

Construction: 26ga G90 galvanized, button-lock seams, .25" stiffening bead every 12 "on center. +2" W.G. SMACNA STANDARDS

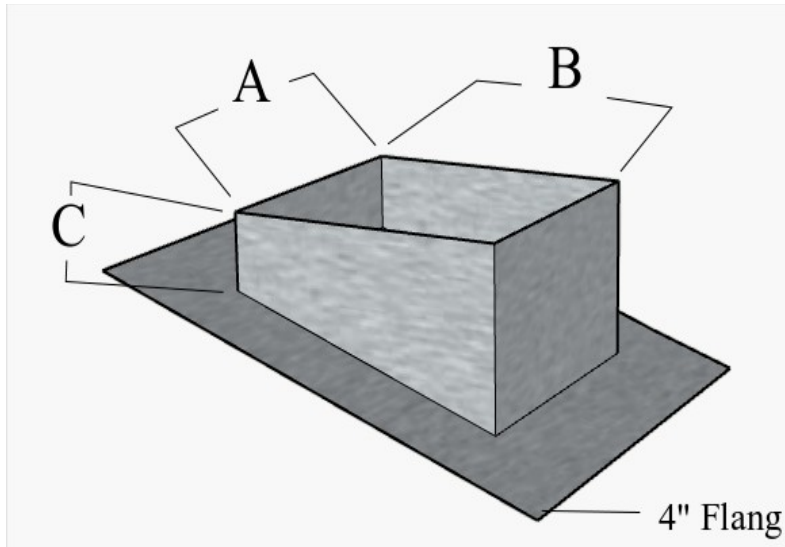
Part# ending in D, sized to slip into G-LOC flashing, ECRJDDP, and ECRJDDF

Part# ending in S, sized to slip into G-LOC flashing, ECRJSDP, ECRJSDF, ECRJUCDDP, AND ECRJUCDDF

Note

**Duct shipped knocked down,
assemble and seal at the time of install.**

G-LOC



ECRJSDP	SIZE				
PART #	A	B	C	PITCH	COST
ECRJ 16SDP	16.25"	16.25"	4"	4-12	\$65.00
ECRJ 18SDP	18.25"	18.25"	4"	4-12	\$65.00
ECRJ 20SDP	20.25"	20.25"	4"	4-12	\$65.00
ECRJ CUSTOM					Contact for price

Description: Pitched AC flashing (no damper) used with G-LOC ECEL, and ECDUCT---S

Construction: 26ga G90 galvanized spot welded seams.

ECRJSDP will slip into ECEL of corresponding size

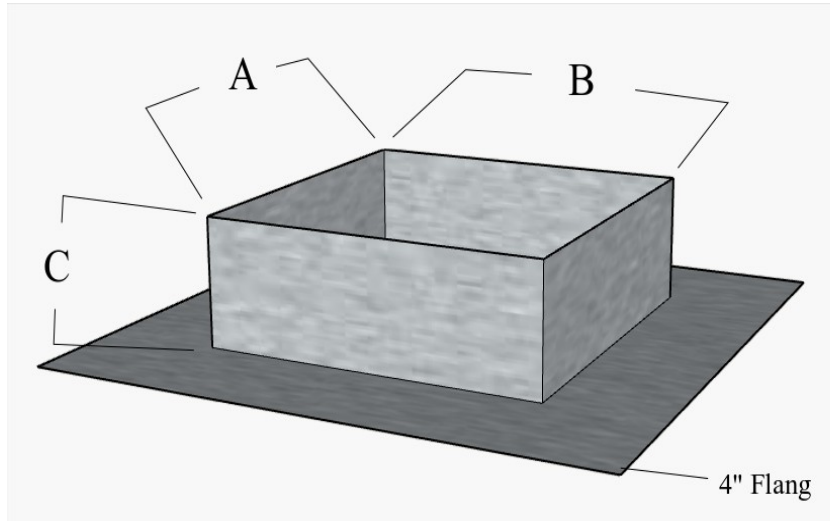
ECRJSDP will slip over ECDUCT—S of corresponding size.

Custom sizes and pitches can be provided within 24 hours of ordering.

Note

Flashing to be sealed at time of install

G-LOC



ECRJSDF	SIZE				
PART #	A	B	C	PITCH	COST
ECRJ 16SDF	16.25"	16.25"	4"	4-12	\$50.00
ECRJ 18SDF	18.25"	18.25"	4"	4-12	\$50.00
ECRJ 20SDF	20.25"	20.25"	4"	4-12	\$50.00
ECRJ CUSTOM					Contact for price

Description: Flat AC flashing (no damper) used with ECEL, and ECDUCT---S

Construction: 26ga G90 galvanized spot welded seams.

ECRJSDF will slip into ECEL of corresponding size

ECRJSDF will slip over ECDUCT—S of corresponding size.

Custom sizes and pitches can be provided within 24 hours of ordering.

Note

Flashing to be sealed at time of install